

Flange Adapters

Maximum Working Pressure upto
6000 psi (414 bar)



Introduction

PANAM[®] has emerged as renowned name in Global market for 'Instrumentation Fittings & Valves'. Since its inception in 1998 to present day, **PANAM**[®] has added new product every year and has broadened its product portfolio and its clientele base by supplying to potential customers worldwide. Key core values like Timely Delivery, Quality Consistency, Product Improvisation and after sales service has been instrumental in the phase wise evolution of company. Continuous improvement is the key to success, Customer feedback are taken with positive attitude and product are constantly groomed to a new quality and performance level to cope up with the competition. Our products are known for providing high-quality, high-reliability, low-cost options for the oil and gas industry. Over the year, the company has evolved from a product based company to a complete system solution provider. Over the coming years the entity of the company will attain state of the art operational efficiency for maintaining a competitive edge, with the advent increase in the utilization of its products in oil, gas and power sector.

PANAM[®] is having state of the art manufacturing facility span over an area of 65,000 sqft with a fleet of CNC machines, VMC machines, Semi-Automatic Lathe machines, High pressure test bench with SCADA control, Configuration centre for transmitters and dedicated R&D Team.

PANAM[®] offers a large variety of Flange Adapters for Instrumentation Installation Globally. **PANAM**[®] Flange Adapters are designed to provide simple, safe interface between pipe flanges and instrumentation fittings, eliminating the need for pipe threading or welding. **PANAM**[®] Flange Adapters link Piping and Instrumentation by eliminating the need of additional connections with minimal cost and added safety. The design incorporates a **PANAM**[®] Tube Fitting with a standard flange assembly. The flange end is dimensional to meet international standards such as ASME B16.5, EN 1092-1, DIN EN 1092-1, & JIS B2220 Available in various sizes and materials like Stainless steel & Other Alloys (e.g. Monel, Hastalloy, Duplex, Super Duplex etc. as per the customer's requirements).

PANAM[®] meets and even exceeds the requirements of ASME and MSS Series Standards. All materials are supplied in compliance with ASTM Specifications and verified by NABL approved third party laboratories.

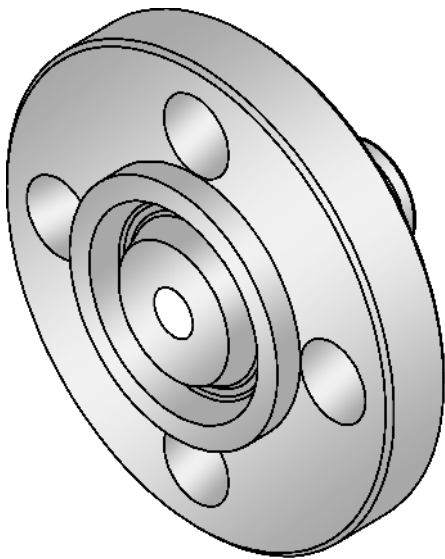
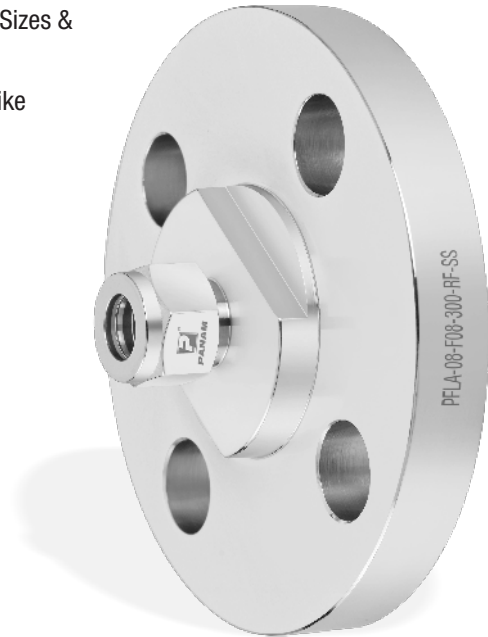
PANAM[®] Flange Adapters are available in compliance with NACE MR0175 / ISO 15156 & NACE MR0103 / ISO 17495-1 with Heat Code Traceability. Working Pressure up to 6000 psi (413 bar) and also available in higher ratings on request.

Contents

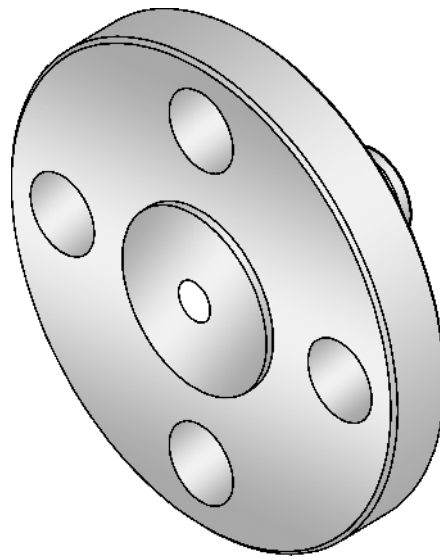
• Features	1
• Tubing End Connections & Flange Connections	2
• Pressure Ratings	3
• Lap Joint Flange Connector	4
• Ordering Information	5
• ASME Flanges	
a) Class 150	6
b) Class 300	7
c) Class 400	8
d) Class 600	9
e) Class 900	10
f) Class 1500	11
g) Class 2500	12
• EN Flanges	
a) Class PN 16 & Class PN 25 / PN 40	13
b) Class PN 63 & Class PN 100	14
• JIS Flanges	
a) Class 10K	15

Features

- One-Piece integrally machined forged body.
- Transition from flanged piping systems to tubing systems without Threading & Welding.
- Used for transitions from process lines to instrumentation lines.
- Available in **PANAM** Tube Fitting end connections up to 50 mm in Metric Sizes & 2 inch in Imperial Sizes.
- SS316 as a standard material of construction. Also available in materials like Alloy 400, Alloy 600, Alloy 625, Alloy C276, Duplex 2205, Duplex 2207, Duplex 254 (6Mo).
- Wrench Flats for easy installation of tube fittings.
- Flange Type meet ASME, DIN, EN and JIS standards.
- Full range of sealing faces including Flat Face, Raised Face, RTJ, and Tongue and Groove.
- Also available in materials compliant to NACE MR0175 / ISO 15156 and NACE MR0103 / ISO 17495-1 for Sour Gas Applications.
- Heat Code Traceability.
- All Flange Adapters are Laser Marked, wherever possible.
- EN 10204 Type 3.1B Test Certificates are supplied with materials.



RTJ Type Sealing Face



Raised Face Type Sealing Face

Tube End Connections & Flange Connections

- Tube fitting end connections are available from 3mm to 50 mm in Metric sizes & 1/16 in. to 2 in. In fractional sizes. Flange Connections.
- The flange types comply with various international standards like ASME, EN, JIS & DIN. The respective specifications are as mentioned in Table.
- Entire Range of sealing face types including flat face, raised face, RTJ and tongue-and-groove.
- Range of Flange sizes and pressure classes. The flange connections are available in different sizes & pressure classes as described in Table.

Table 1 - Flange Connection Specification, Size & Class

Specification	Size	Pressure Class
ASME B16.5	NPS 1/2 to NPS 2	Class 150 to Class 2500
DIN EN 1092-1	DN 15 to DN 50	PN 16 to PN 100
EN 1092-1	DN 15 to DN 50	PN 16 to PN 100
JIS B2220	DN 15 to DN 50	10K to 63K

Materials

Flange Adapters are made from one-piece integral forged body & available in various materials as listed under.

Material Group	ASTM Materials	Equivalent EN Materials
Austenitic Stainless Steel	ASTM A182 S31600 (F316)	EN 10222-5 Grade 1.4401
	ASTM A182 S31603 (F316L)	EN 10222-5 Grade 1.4404
	ASTM A182 S31254 (F44) -6Mo	EN 10222-5 Grade 1.4547
Austenitic - Ferritic Stainless Steel (Duplex - Super Duplex)	ASTM A182 S31803 (F51) - Duplex	EN 10222-5 Grade 1.4462
	ASTM A182 S32205 (F60) - Duplex	EN 10222-5 Grade 1.4462
	ASTM A182 S32750 (F53) - Super Duplex	EN 10222-5 Grade 1.4410
	ASTM A182 S32760 (F55) - Super Duplex	EN 10222-5 Grade 1.4501
Nickel Based Alloys	ASTM B564 N04400 (Alloy 400 - Monel)	DIN 17752 Grade 2.4360
	ASTM B564 N06600 (Alloy 600 - Inconel)	DIN 17752 Grade 2.4816
	ASTM B564 N06625 (Alloy 625)	DIN 17752 Grade 2.4856
	ASTM B564 N08825 (Alloy 825)	DIN 17752 Grade 2.4858
	ASTM B564 N10276 (Hastalloy C-276)	DIN 17752 Grade 2.4819

Pressure Ratings

Pressure ratings for fittings with flange end connections & other end connections are determined by the connection with the lower pressure rating.

The Ratings are taken from ASME B16.5 (2013) Table II-2-2.2 & Table 2-2.2 for ASTM A182 F316.

Temperature °F	Working Pressure by Classes, psig						
	Class						
	150	300	400	600	900	1500	2500
-20 to 100	275	720	960	1440	2160	3600	6000
200	235	620	825	1240	1860	3095	5160
300	215	560	745	1120	1680	2795	4660
400	195	515	685	1025	1540	2570	4280
500	170	480	635	955	1435	2390	3980
600	140	450	600	900	1355	2255	3760
650	125	440	590	885	1325	2210	3680
700	110	435	580	870	1305	2170	3620
750	95	425	570	855	1280	2135	3560
800	80	420	565	845	1265	2110	3520
850	65	420	555	835	1255	2090	3480
900	50	415	555	830	1245	2075	3460
950	35	385	515	775	1160	1930	3220
1000	20	365	485	725	1090	1820	3030

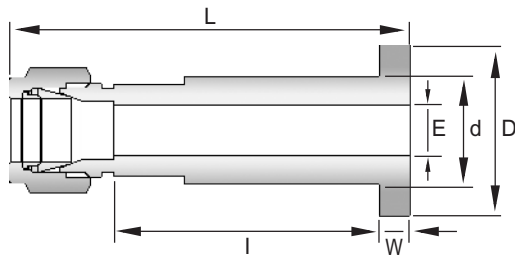
Temperature °C	Working Pressure by Classes, bar						
	Class						
	150	300	400	600	900	1500	2500
-29 to 38	19.0	49.6	66.2	99.3	148.9	248.2	413.7
50	18.4	48.1	64.2	96.2	144.3	240.6	400.9
100	16.2	42.2	56.3	84.4	126.6	211.0	351.6
150	14.8	38.5	51.3	77.0	115.5	192.5	320.8
200	13.7	35.7	47.6	71.3	107.0	178.3	297.2
250	12.1	33.4	44.5	66.8	100.1	166.9	278.1
300	10.2	31.6	42.2	63.2	94.9	158.1	263.5
325	9.3	30.9	41.2	61.8	92.7	154.4	257.4
350	8.4	30.3	40.4	60.7	91.0	151.6	252.7
375	7.4	29.9	39.8	59.8	89.6	149.4	249.0
400	6.5	29.4	39.8	58.9	88.3	147.2	245.3
425	5.5	29.1	38.9	58.3	87.4	145.7	242.9
450	4.6	28.8	38.5	57.7	86.5	144.2	240.4
475	3.7	28.7	38.2	57.3	86.0	143.4	238.9
500	2.8	28.2	37.6	56.5	84.7	140.9	235.0
538	1.4	25.2	33.4	50.0	75.2	125.5	208.9

Lap Joint Flange Connector

The Lapped Flange Connector is used to allow safe and simple connections between process lines and instruments. The basic, one-piece unit consists of a **PANAM** tube fitting connection end and a 1/2" lap joint pipe flange. The flange end is dimensioned to meet ASME B16.5 Class 2500 flange specifications.

Available in "Smooth" and "Serrated/Concentric" seal faces, and in materials such as SS316, SS316L, Alloy 400 (Monel), Alloy 600, Alloy 625, Alloy 800, Alloy 825, Alloy C-276 (Hastalloy), etc.

Lap Joint Flange Connector



Flange Seal Faces



Smooth Flange Seal Face

Serrated / Concentric Flange Seal Face

Flange Seal Face Types

Flange Seal Face	Designator	Surface Finish
Concentric Serrated	SR	Ra 6.3 µm to 12.5 µm
Smooth	SM	Ra 3.2 µm to 6.3 µm

Lap Joint Flange Connector

Lapped Flange Connector (Fractional Tube Fitting)

Part Number	Flange Seal Face Type	Surface Finish	T Tube OD	Dimensions					
				L	D	I	d	E	W
PLJC-04-F08-SR-SS	Serrated	Ra 6.3µm to 12.5 µm	1/4	80.8	35	56.5	22.2	4.8	6.5
PLJC-04-F08-SM-SS	Smooth	Ra 3.2µm to 6.3 µm	1/4	80.8	35	56.5	22.2	4.8	6.5
PLJC-06-F08-SR-SS	Serrated	Ra 6.3µm to 12.5 µm	3/8	82.3	35	56.5	22.2	7.1	6.5
PLJC-06-F08-SM-SS	Smooth	Ra 3.2µm to 6.3 µm	3/8	82.3	35	56.5	22.2	7.1	6.5
PLJC-08-F08-SR-SS	Serrated	Ra 6.3µm to 12.5 µm	1/2	84.8	35	56.5	22.2	10.4	6.5
PLJC-08-F08-SM-SS	Smooth	Ra 3.2µm to 6.3 µm	1/2	84.8	35	56.5	22.2	10.4	6.5

Lapped Flange Connector (Metric Tube Fitting)

Part Number	Flange Seal Face Type	Surface Finish	T Tube OD	Dimensions					
				L	D	I	d	E	W
PLJC-M06-F08-SR-SS	Serrated	Ra 6.3µm to 12.5 µm	6 mm	81	35	56.5	22.2	4.8	6.5
PLJC-M06-F08-SM-SS	Smooth	Ra 3.2µm to 6.3 µm	6 mm	81	35	56.5	22.2	4.8	6.5
PLJC-M10-F08-SR-SS	Serrated	Ra 6.3µm to 12.5 µm	10 mm	83.9	35	56.5	22.2	7.1	6.5
PLJC-M10-F08-SM-SS	Smooth	Ra 3.2µm to 6.3 µm	10 mm	83.9	35	56.5	22.2	7.1	6.5
PLJC-M12-F08-SR-SS	Serrated	Ra 6.3µm to 12.5 µm	12 mm	85.3	35	56.5	22.2	10.4	6.5
PLJC-M12-F08-SM-SS	Smooth	Ra 3.2µm to 6.3 µm	12 mm	85.3	35	56.5	22.2	10.4	6.5

NOTE: To order Lap Joint Flange Adapter in other materials, please replace the "SS" from the part number with the material designator as given in Ordering Information Section. For example, PLJC-04-F08-SR-SS will be PLJC-04-F08-MO for Alloy 400 (Monel).

Ordering Information

PFLA-08-F16-150-RTJ-MO-SG

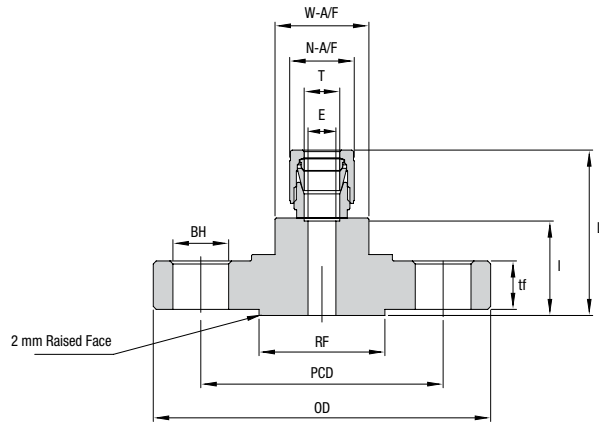
Product Designator		Tube Fitting Size		Nominal Flange Size		Pressure Class		Face Sealing Type		Material Designator		Sour Gas Service	
P	PANAM	01	1/16"	F08	NPS 1/2 in.	ASME		RF	Raised Face	SS	SS 316	SG	NACE MR0175 / ISO 15156
FLA	Flange Adapter	02	1/8"	F12	NPS 3/4 in.	150	150 Class	TG	Tongue & Groove	SSL	SS 316L		
		04	1/4"	F16	NPS 1 in.	400	300 Class	RTJ	Ring Type Joint	6Mo	Alloy 254 6Mo		
		06	3/8"	F24	NPS 1-1/4 in.	300	400 Class	FF	Flat Face	F51	SS 31803	SGR	NACE MR0103 / ISO 17495-1
		08	1/2"	F32	NPS 2 in.	600	600 Class			F53	Duplex 2750		
		12	3/4"	15	DN 15	900	900 Class			F55	Duplex2760		
		16	1"	20	DN 20	1500	1500 Class			D5	Duplex 2205		
		20	1-1/4"	25	DN 25	2500	2500 Class			MO	Alloy 400 (Monel)		
		24	1-1/2"	50	DN 50	EN				INC	Alloy 600 (Inconel)		
		32	2"			16	PN 16			A625	Alloy 625		
		M03	3mm OD			25	PN 25			A800	Alloy 800		
		M06	6mm OD			40	PN 40			A825	Alloy 825		
		M08	8mm OD			63	PN 63			HC	Alloy C-276		
		M10	10mm OD			100	PN 100						
		M12	12mm OD			JIS							
		M18	18mm OD			10K	10 Kg/cm ²						
		M20	20mm OD			16K	16 Kg/cm ²						
		M22	22mm OD			20K	20 Kg/cm ²						
		M25	25mm OD			30K	30 Kg/cm ²						
		M28	28mm OD			40K	40 Kg/cm ²						
		M32	32mm OD			63K	63 Kg/cm ²						
		M38	38mm OD										
		M50	50mm OD										

Note: For Tube Adapters, Add "T" at the end in Size. i.e. 4T means 1/4" Tube, 12T means 3/4" Tube.

NOTE

- For surface finish details of sealing faces, contact your authorized **PANAM** sales representative for more information.
- Include "BT" at the end of the part number for Bore through flange adapters with **PANAM** tube fitting ends. i.e. PFLA-08-F08-300-RF-SS-BT.

ASME Flanges - Class 150



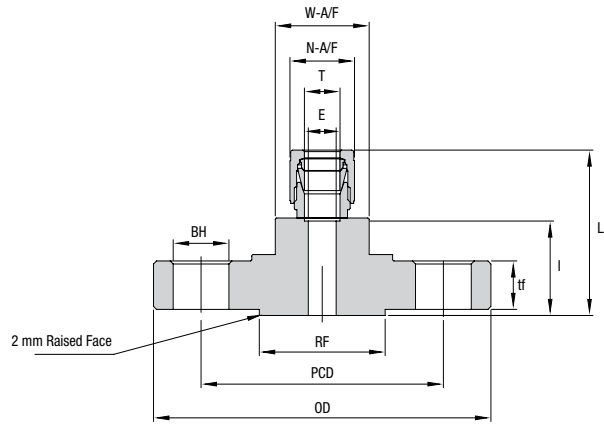
ASME B16.5 Class 150 Flange X Fractional Tube Fitting

Part Number	NPS in.	OD	RF	tf	PCD	BH in.	T in.	E	N-A/F in.	I	L	W-A/F
PFLA-04-F08-150-RF-SS	1/2	90	34.9	11.2	60.3	5/8 (4 holes)	1/4	4.8	9/16	37.1	53.3	25.4
PFLA-06-F08-150-RF-SS							3/8	7.1	11/16	35.6	53.6	
PFLA-08-F08-150-RF-SS							1/2	10.4	7/8	32.5	56.9	
PFLA-04-F12-150-RF-SS	3/4	100	42.9	11.2	69.9	5/8 (4 Holes)	1/4	4.8	9/16	41.7	57.9	28.5
PFLA-06-F12-150-RF-SS							3/8	7.1	11/16	40.1	58.2	
PFLA-08-F12-150-RF-SS							1/2	10.4	7/8	37.1	61.5	
PFLA-04-F16-150-RF-SS	1	110	50.8	12.7	79.4	5/8 (4 Holes)	1/4	4.8	9/16	45.0	61.2	28.5
PFLA-06-F16-150-RF-SS							3/8	7.1	11/16	43.4	61.5	
PFLA-08-F16-150-RF-SS							1/2	10.4	7/8	40.4	64.8	
PFLA-12-F16-150-RF-SS							3/4	15	1-1/8	38.9	64.0	
PFLA-04-F32-150-RF-SS	2	150	92.1	17.5	120.7	3/4 (4 Holes)	1/4	4.8	9/16	52.8	69.1	50.8
PFLA-06-F32-150-RF-SS							3/8	7.1	11/16	51.3	69.3	
PFLA-08-F32-150-RF-SS							1/2	10.4	7/8	48.3	72.6	
PFLA-12-F32-150-RF-SS							3/4	15	1-1/8	46.7	71.9	
PFLA-16-F32-150-RF-SS							1	22	1-1/2	42.2	74.2	

ASME B16.5 Class 150 Flange X Metric Tube Fitting

Part Number	NPS in.	OD	RF	tf	PCD	BH in.	T	E	N-A/F	I	L	W-A/F
PFLA-M06-F80-150-RF-SS	1/2	90	34.9	11.2	60.3	5/8 (4 holes)	6 mm	4.2	14	37.2	53.4	25.4
PFLA-M10-F08-150-RF-SS							10 mm	8	19	36.6	54.6	
PFLA-M12-F08-150-RF-SS							12 mm	9.5	22	33	57.4	
PFLA-M06-F12-150-RF-SS	3/4	100	42.9	11.2	69.9	5/8 (4 Holes)	6 mm	4.2	14	41.8	58	28.5
PFLA-M10-F12-150-RF-SS							10 mm	8	19	41.1	59.2	
PFLA-M12-F12-150-RF-SS							12 mm	9.5	22	37.6	62	
PFLA-M06-F16-150-RF-SS	1	110	50.8	12.7	79.4	5/8 (4 Holes)	6 mm	4.2	14	45.1	61.3	28.5
PFLA-M10-F16-150-RF-SS							10 mm	8	19	44.4	62.5	
PFLA-M12-F16-150-RF-SS							12 mm	9.5	22	40.9	65.3	
PFLA-M20-F16-150-RF-SS							20 mm	18	32	40.3	65.4	
PFLA-M06-F32-150-RF-SS	2	150	92.1	17.5	120.7	3/4 (4 Holes)	6 mm	4.2	14	52.9	69.2	50.8
PFLA-M10-F32-150-RF-SS							10 mm	8	19	52.3	70.3	
PFLA-M12-F32-150-RF-SS							12 mm	9.5	22	48.5	73.1	
PFLA-M20-F32-150-RF-SS							20 mm	18	32	48.1	73.3	
PFLA-M25-F32-150-RF-SS							25 mm	22	38	42.2	74.2	

ASME Flanges - Class 300



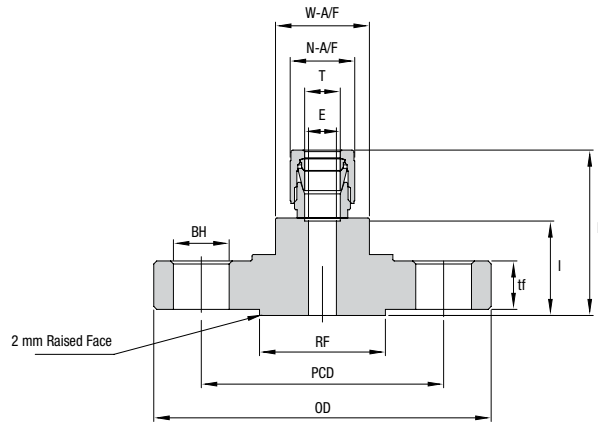
ASME B16.5 Class 300 Flange X Fractional Tube Fitting

Part Number	NPS in.	OD	RF	tf	PCD	BH in.	T	E	N-A/F in.	I	L	W-A/F
PFLA-04-F08-300-RF-SS	1/2	95	34.9	12.7	66.7	5/8 (4 holes)	1/4	4.8	9/16	41.7	57.9	25.4
PFLA-06-F08-300-RF-SS							3/8	7.1	11/16	40.1	58.2	
PFLA-08-F08-300-RF-SS							1/2	10.4	7/8	37.1	61.5	
PFLA-04-F12-300-RF-SS	3/4	115	42.9	14.3	82.6	3/4 (4 Holes)	1/4	4.8	9/16	46.5	62.7	28.5
PFLA-06-F12-300-RF-SS							3/8	7.1	11/16	45.0	63.0	
PFLA-08-F12-300-RF-SS							1/2	10.4	7/8	41.9	66.3	
PFLA-04-F16-300-RF-SS	1	125	50.8	15.9	88.9	3/4 (4 Holes)	1/4	4.8	9/16	51.3	67.6	28.5
PFLA-06-F16-300-RF-SS							3/8	7.1	11/16	49.8	67.8	
PFLA-08-F16-300-RF-SS							1/2	10.4	7/8	46.7	71.1	
PFLA-12-F16-300-RF-SS							3/4	15	1-1/8	45.2	70.4	
PFLA-04-F32-300-RF-SS	2	165	92.1	20.7	127.0	3/4 (4 Holes)	1/4	4.8	9/16	59.2	75.4	50.8
PFLA-06-F32-300-RF-SS							3/8	7.1	11/16	57.7	75.7	
PFLA-08-F32-300-RF-SS							1/2	10.4	7/8	54.6	79.0	
PFLA-12-F32-300-RF-SS							3/4	15	1-1/8	53.1	78.2	
PFLA-16-F32-300-RF-SS							1	22	1-1/2	48.5	80.5	

ASME B16.5 Class 300 Flange X Metric Tube Fitting

Part Number	NPS in.	OD	RF	tf	PCD	BH in.	T	E	N-A/F	I	L	W-A/F
PFLA-M06-F08-300-RF-SS	1/2	95	34.9	12.7	66.7	5/8 (4 holes)	6 mm	4.2	14	41.8	58	25.4
PFLA-M10-F08-300-RF-SS							10 mm	8	19	41.1	59.2	
PFLA-M12-F08-300-RF-SS							12 mm	9.5	22	37.6	62	
PFLA-M06-F12-300-RF-SS	3/4	115	42.9	14.3	82.6	3/4 (4 Holes)	6 mm	4.2	14	46.6	62.8	28.5
PFLA-M10-F12-300-RF-SS							10 mm	8	19	46.0	64.0	
PFLA-M12-F12-300-RF-SS							12 mm	9.5	22	42.4	67.7	
PFLA-M06-F16-300-RF-SS	1	125	50.8	15.9	88.9	3/4 (4 Holes)	6 mm	4.2	14	51.4	67.7	28.5
PFLA-M10-F16-300-RF-SS							10 mm	8	19	50.8	68.8	
PFLA-M12-F16-300-RF-SS							12 mm	9.5	22	47.2	71.6	
PFLA-M20-F16-300-RF-SS							20 mm	18	32	46.6	71.8	
PFLA-M06-F32-300-RF-SS	2	165	92.1	20.7	127.0	3/4 (4 Holes)	6 mm	4.2	14	59.3	75.5	50.8
PFLA-M10-F32-300-RF-SS							10 mm	8	19	58.7	76.7	
PFLA-M12-F32-300-RF-SS							12 mm	9.5	22	55.1	79.5	
PFLA-M20-F32-300-RF-SS							20 mm	18	32	54.5	79.6	
PFLA-M25-F32-300-RF-SS							25 mm	22	38	48.5	80.5	

ASME Flanges - Class 400



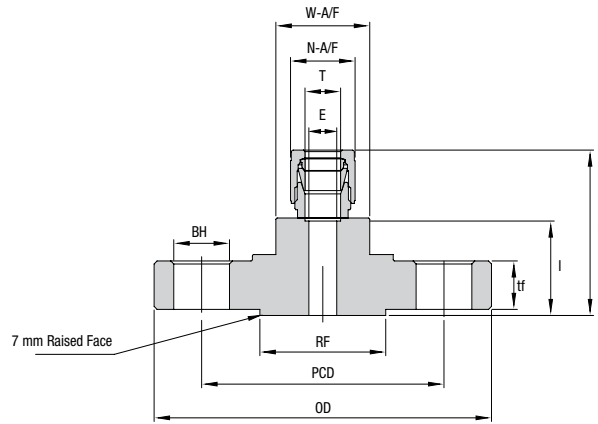
ASME B16.5 Class 400 Flange X Fractional Tube Fitting

Part Number	NPS in.	OD	RF	tf	PCD	BH in.	T	E	N-A/F in.	I	L	W-A/F
PFLA-04-F08-400-RF-SS	1/2	95	34.9	14.3	66.7	5/8 (4 holes)	1/4	4.8	9/16	48	64.3	25.4
PFLA-06-F08-400-RF-SS							3/8	7.1	11/16	46.5	64.5	
PFLA-08-F08-400-RF-SS							1/2	10.4	7/8	43.4	67.8	
PFLA-04-F12-400-RF-SS	3/4	115	42.9	15.9	82.6	3/4 (4 Holes)	1/4	4.8	9/16	52.8	69.1	28.5
PFLA-06-F12-400-RF-SS							3/8	7.1	11/16	51.3	69.3	
PFLA-08-F12-400-RF-SS							1/2	10.4	7/8	48.3	72.6	
PFLA-04-F16-400-RF-SS	1	125	50.8	17.5	88.9	3/4 (4 Holes)	1/4	4.8	9/16	57.7	73.9	28.5
PFLA-06-F16-400-RF-SS							3/8	7.1	11/16	56.1	74.2	
PFLA-08-F16-400-RF-SS							1/2	10.4	7/8	53.1	77.5	
PFLA-12-F16-400-RF-SS							3/4	15	1-1/8	51.6	76.7	
PFLA-04-F32-400-RF-SS	2	165	92.1	25.4	127.0	3/4 (8 Holes)	1/4	4.8	9/16	68.8	85.1	50.8
PFLA-06-F32-400-RF-SS							3/8	7.1	11/16	67.3	85.3	
PFLA-08-F32-400-RF-SS							1/2	10.4	7/8	64.3	88.6	
PFLA-12-F32-400-RF-SS							3/4	15	1-1/8	62.7	87.9	
PFLA-16-F32-400-RF-SS							1	22	1-1/2	58.2	90.2	

ASME B16.5 Class 400 Flange X Metric Tube Fitting

Part Number	NPS in.	OD	RF	tf	PCD	BH in.	T	E	N-A/F	I	L	W-A/F
PFLA-M06-F08-400-RF-SS	1/2	95	34.9	14.3	66.7	5/8 (4 holes)	6 mm	4.2	14	48.1	64.4	25.4
PFLA-M10-F08-400-RF-SS							10 mm	8	19	47.5	65.5	
PFLA-M12-F08-400-RF-SS							12 mm	9.5	22	43.9	68.3	
PFLA-M06-F12-400-RF-SS	3/4	115	42.9	15.9	82.6	3/4 (4 Holes)	6 mm	4.2	14	52.9	69.2	28.5
PFLA-M10-F12-400-RF-SS							10 mm	8	19	52.3	70.3	
PFLA-M12-F12-400-RF-SS							12 mm	9.5	22	48.8	73.1	
PFLA-M06-F16-400-RF-SS	1	125	50.8	17.5	88.9	3/4 (4 Holes)	6 mm	4.2	14	57.8	74.0	28.5
PFLA-M10-F16-400-RF-SS							10 mm	8	19	57.1	75.2	
PFLA-M12-F16-400-RF-SS							12 mm	9.5	22	53.6	78.0	
PFLA-M20-F16-400-RF-SS							20 mm	18	32	53.0	78.1	
PFLA-M06-F32-400-RF-SS	2	165	92.1	25.4	127.0	3/4 (8 Holes)	6 mm	4.2	14	68.9	85.2	50.8
PFLA-M10-F32-400-RF-SS							10 mm	8	19	68.3	86.3	
PFLA-M12-F32-400-RF-SS							12 mm	9.5	22	64.8	89.1	
PFLA-M20-F32-400-RF-SS							20 mm	18	32	64.1	89.3	
PFLA-M20-F32-400-RF-SS							25 mm	22	38	58.2	90.2	

ASME Flanges - Class 600



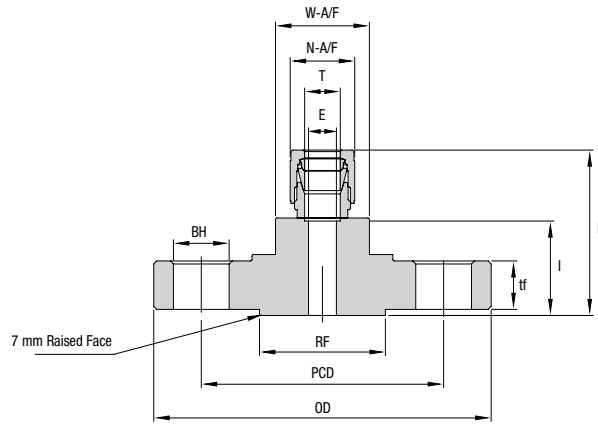
ASME B16.5 Class 600 Flange X Fractional Tube Fitting

Part Number	NPS in.	OD	RF	tf	PCD	BH in.	T	E	N-A/F in.	I	L	W-A/F
PFLA-04-F08-600-RF-SS	1/2	95	34.9	14.3	66.7	5/8 (4 holes)	1/4	4.8	9/16	48	64.3	25.4
PFLA-06-F08-600-RF-SS							3/8	7.1	11/16	46.5	64.5	
PFLA-08-F08-600-RF-SS							1/2	10.4	7/8	43.4	67.8	
PFLA-04-F12-600-RF-SS	3/4	115	42.9	15.9	82.6	3/4 (4 Holes)	1/4	4.8	9/16	52.8	69.1	28.5
PFLA-06-F12-600-RF-SS							3/8	7.1	11/16	51.3	69.3	
PFLA-08-F12-600-RF-SS							1/2	10.4	7/8	48.3	72.6	
PFLA-04-F16-600-RF-SS	1	125	50.8	17.5	88.9	3/4 (4 Holes)	1/4	4.8	9/16	57.7	73.9	28.5
PFLA-06-F16-600-RF-SS							3/8	7.1	11/16	56.1	74.2	
PFLA-08-F16-600-RF-SS							1/2	10.4	7/8	53.1	77.5	
PFLA-12-F16-600-RF-SS							3/4	15	1-1/8	51.6	76.7	
PFLA-04-F32-600-RF-SS	2	165	92.1	25.4	127.0	3/4 (8 Holes)	1/4	4.8	9/16	68.8	85.1	50.8
PFLA-06-F32-600-RF-SS							3/8	7.1	11/16	67.3	85.3	
PFLA-08-F32-600-RF-SS							1/2	10.4	7/8	64.3	88.6	
PFLA-12-F32-600-RF-SS							3/4	15	1-1/8	62.7	87.9	
PFLA-16-F32-600-RF-SS							1	22	1-1/2	58.2	90.2	

ASME B16.5 Class 600 Flange X Metric Tube Fitting

Part Number	NPS in.	OD	RF	tf	PCD	BH in.	T	E	N-A/F	I	L	W-A/F
PFLA-M06-F08-600-RF-SS	1/2	95	34.9	14.3	66.7	5/8 (4 holes)	6 mm	4.2	14	48.1	64.4	25.4
PFLA-M10-F08-600-RF-SS							10 mm	8	19	47.5	65.5	
PFLA-M12-F08-600-RF-SS							12 mm	9.5	22	43.9	68.3	
PFLA-M06-F12-600-RF-SS	3/4	115	42.9	15.9	82.6	3/4 (4 Holes)	6 mm	4.2	14	52.9	69.2	28.5
PFLA-M10-F12-600-RF-SS							10 mm	8	19	52.3	70.3	
PFLA-M12-F12-600-RF-SS							12 mm	9.5	22	48.8	73.1	
PFLA-M06-F16-600-RF-SS	1	125	50.8	17.5	88.9	3/4 (4 Holes)	6 mm	4.2	14	57.8	74.0	28.5
PFLA-M10-F16-600-RF-SS							10 mm	8	19	57.1	75.2	
PFLA-M12-F16-600-RF-SS							12 mm	9.5	22	53.6	78.0	
PFLA-M20-F16-600-RF-SS							20 mm	18	32	53.0	78.1	
PFLA-M06-F32-600-RF-SS	2	165	92.1	25.4	127.0	3/4 (8 Holes)	6 mm	4.2	14	68.9	85.2	50.8
PFLA-M10-F32-600-RF-SS							10 mm	8	19	68.3	86.3	
PFLA-M12-F32-600-RF-SS							12 mm	9.5	22	64.8	89.1	
PFLA-M20-F32-600-RF-SS							20 mm	18	32	64.1	89.3	
PFLA-M25-F32-600-RF-SS							25 mm	22	38	58.2	90.2	

ASME Flanges - Class 900



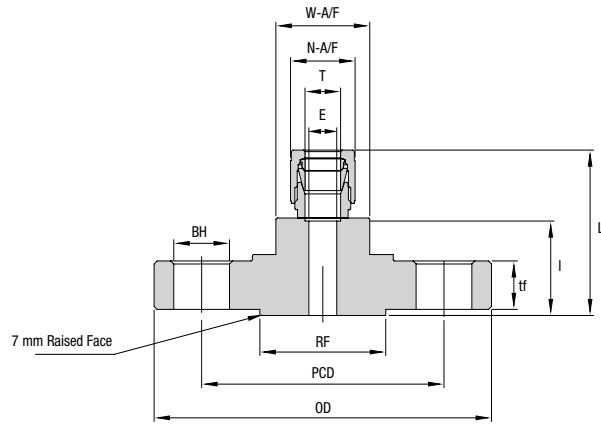
ASME B16.5 Class 900 Flange X Fractional Tube Fitting

Part Number	NPS in.	OD	RF	tf	PCD	BH in.	T	E	N-A/F in.	I	L	W-A/F
PFLA-04-F08-900-RF-SS	1/2	120	34.9	22.3	82.6	7/8 (4 holes)	1/4	4.8	9/16	56.1	72.4	25.4
PFLA-06-F08-900-RF-SS							3/8	7.1	11/16	54.6	72.6	
PFLA-08-F08-900-RF-SS							1/2	10.4	7/8	51.6	75.9	
PFLA-04-F12-900-RF-SS	3/4	130	42.9	25.4	88.9	7/8 (4 Holes)	1/4	4.8	9/16	65.5	81.8	28.5
PFLA-06-F12-900-RF-SS							3/8	7.1	11/16	64.0	82.0	
PFLA-08-F12-900-RF-SS							1/2	10.4	7/8	61.0	85.3	
PFLA-04-F16-900-RF-SS	1	150	50.8	28.6	101.6	1 (4 Holes)	1/4	4.8	9/16	68.8	85.1	28.5
PFLA-06-F16-900-RF-SS							3/8	7.1	11/16	67.3	85.3	
PFLA-08-F16-900-RF-SS							1/2	10.4	7/8	64.3	88.6	
PFLA-12-F16-900-RF-SS							3/4	15	1-1/8	62.7	87.9	
PFLA-04-F32-900-RF-SS	2	215	92.1	38.1	165.1	1 (8 Holes)	1/4	4.8	9/16	97.3	113.5	50.8
PFLA-06-F32-900-RF-SS							3/8	7.1	11/16	95.8	113.8	
PFLA-08-F32-900-RF-SS							1/2	10.4	7/8	92.7	117.1	
PFLA-12-F32-900-RF-SS							3/4	15	1-1/8	91.2	116.3	
PFLA-16-F32-900-RF-SS							1	22	1-1/2	86.6	118.6	

ASME B16.5 Class 900 Flange X Metric Tube Fitting

Part Number	NPS in.	OD	RF	tf	PCD	BH in.	T	E	N-A/F	I	L	W-A/F
PFLA-M06-F08-900-RF-SS	1/2	120	34.9	22.3	82.6	7/8 (4 holes)	6 mm	4.2	14	56.2	72.5	25.4
PFLA-M10-F08-900-RF-SS							10 mm	8	19	55.6	73.6	
PFLA-M12-F08-900-RF-SS							12 mm	9.5	22	52.1	76.4	
PFLA-M06-F12-900-RF-SS	3/4	130	42.9	25.4	88.9	7/8 (4 Holes)	6 mm	4.2	14	65.6	81.9	28.5
PFLA-M10-F12-900-RF-SS							10 mm	8	19	65.0	83.0	
PFLA-M12-F12-900-RF-SS							12 mm	9.5	22	61.5	85.8	
PFLA-M06-F16-900-RF-SS	1	150	50.8	28.6	101.6	1 (4 Holes)	6 mm	4.2	14	68.9	85.2	28.5
PFLA-M10-F16-900-RF-SS							10 mm	8	19	68.3	86.3	
PFLA-M12-F16-900-RF-SS							12 mm	9.5	22	64.8	89.1	
PFLA-M20-F16-900-RF-SS							20 mm	18	32	64.1	89.3	
PFLA-M06-F32-900-RF-SS	2	215	92.1	38.1	165.1	1 (8 Holes)	6 mm	4.2	14	97.4	113.6	50.8
PFLA-M10-F32-900-RF-SS							10 mm	8	19	96.8	114.8	
PFLA-M12-F32-900-RF-SS							12 mm	9.5	22	93.2	117.6	
PFLA-M20-F32-900-RF-SS							20 mm	18	32	92.6	117.7	
PFLA-M25-F32-900-RF-SS							25 mm	22	38	86.6	118.6	

ASME Flanges - Class 1500



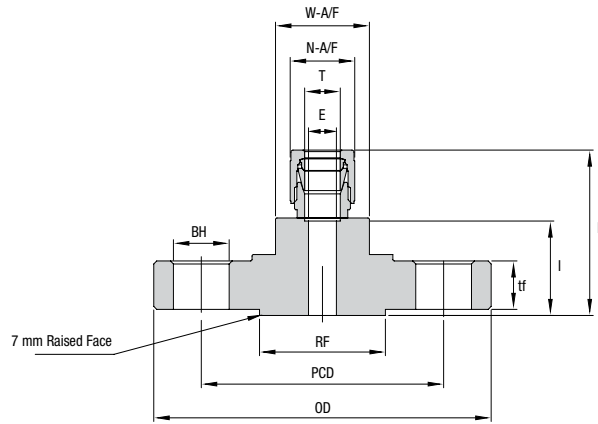
ASME B16.5 Class 1500 Flange X Fractional Tube Fitting

Part Number	NPS in.	OD	RF	tf	PCD	BH in.	T	E	N-A/F in.	I	L	W-A/F
PFLA-04-F08-1500-RF-SS	1/2	120	34.9	22.3	82.6	7/8 (4 holes)	1/4	4.8	9/16	56.1	72.4	25.4
PFLA-06-F08-1500-RF-SS							3/8	7.1	11/16	54.6	72.6	
PFLA-08-F08-1500-RF-SS							1/2	10.4	7/8	51.6	75.9	
PFLA-04-F12-1500-RF-SS	3/4	130	42.9	25.4	88.9	7/8 (4 Holes)	1/4	4.8	9/16	65.5	81.8	28.5
PFLA-06-F12-1500-RF-SS							3/8	7.1	11/16	64.0	82.0	
PFLA-08-F12-1500-RF-SS							1/2	10.4	7/8	61.0	85.3	
PFLA-04-F16-1500-RF-SS	1	150	50.8	28.6	101.6	1 (4 Holes)	1/4	4.8	9/16	68.8	85.1	28.5
PFLA-06-F16-1500-RF-SS							3/8	7.1	11/16	67.3	85.3	
PFLA-08-F16-1500-RF-SS							1/2	10.4	7/8	64.3	88.6	
PFLA-12-F16-1500-RF-SS							3/4	15	1-1/8	62.7	87.9	
PFLA-04-F32-1500-RF-SS	2	215	92.1	38.1	165.1	1 (8 Holes)	1/4	4.8	9/16	97.3	113.5	50.8
PFLA-06-F32-1500-RF-SS							3/8	7.1	11/16	95.8	113.8	
PFLA-08-F32-1500-RF-SS							1/2	10.4	7/8	92.7	117.1	
PFLA-12-F32-1500-RF-SS							3/4	15	1-1/8	91.2	116.3	
PFLA-16-F32-1500-RF-SS							1	22	1-1/2	86.6	118.6	

ASME B16.5 Class 1500 Flange X Metric Tube Fitting

Part Number	NPS in.	OD	RF	tf	PCD	BH in.	T	E	N-A/F	I	L	W-A/F
PFLA-M06-F08-1500-RF-SS	1/2	120	34.9	22.3	82.6	7/8 (4 holes)	6 mm	4.2	14	56.2	72.5	25.4
PFLA-M10-F08-1500-RF-SS							10 mm	8	19	55.6	73.6	
PFLA-M12-F08-1500-RF-SS							12 mm	9.5	22	52.1	76.4	
PFLA-M06-F12-1500-RF-SS	3/4	130	42.9	25.4	88.9	7/8 (4 Holes)	6 mm	4.2	14	65.6	81.9	28.5
PFLA-M10-F12-1500-RF-SS							10 mm	8	19	65.0	83.0	
PFLA-M12-F12-1500-RF-SS							12 mm	9.5	22	61.5	85.8	
PFLA-M06-F16-1500-RF-SS	1	150	50.8	28.6	101.6	1 (4 Holes)	6 mm	4.2	14	68.9	85.2	28.5
PFLA-M10-F16-1500-RF-SS							10 mm	8	19	68.3	86.3	
PFLA-M12-F16-1500-RF-SS							12 mm	9.5	22	64.8	89.1	
PFLA-M20-F16-1500-RF-SS							20 mm	18	32	64.1	89.3	
PFLA-M06-F32-1500-RF-SS	2	215	92.1	38.1	165.1	1 (8 Holes)	6 mm	4.2	14	97.4	113.6	50.8
PFLA-M10-F32-1500-RF-SS							10 mm	8	19	96.8	114.8	
PFLA-M12-F32-1500-RF-SS							12 mm	9.5	22	93.2	117.6	
PFLA-M20-F32-1500-RF-SS							20 mm	18	32	92.6	117.7	
PFLA-M25-F32-1500-RF-SS							25 mm	22	38	86.6	118.6	

ASME Flanges - Class 2500



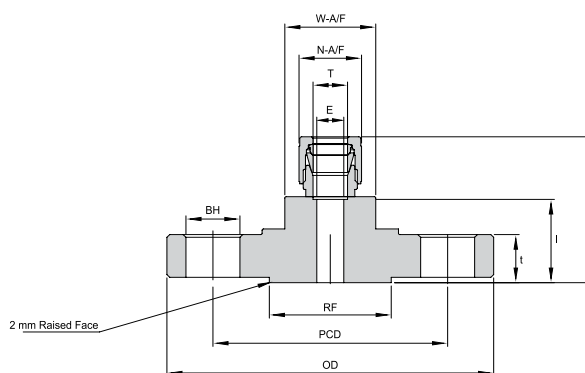
ASME B16.5 Class 2500 Flange X Fractional Tube Fitting

Part Number	NPS in.	OD	RF	tf	PCD	BH in.	T	E	N-A/F in.	I	L	W-A/F
PFLA-04-F08-2500-RF-SS	1/2	135	34.9	30.2	88.9	7/8 (4 holes)	1/4	4.8	9/16	64.0	80.3	25.4
PFLA-06-F08-2500-RF-SS							3/8	7.1	11/16	62.5	80.5	
PFLA-08-F08-2500-RF-SS							1/2	10.4	7/8	59.5	83.8	
PFLA-04-F12-2500-RF-SS	3/4	140	42.9	31.8	95.2	7/8 (4 Holes)	1/4	4.8	9/16	71.9	88.2	28.5
PFLA-06-F12-2500-RF-SS							3/8	7.1	11/16	70.4	88.4	
PFLA-08-F12-2500-RF-SS							1/2	10.4	7/8	67.4	91.7	
PFLA-04-F16-2500-RF-SS	1	160	50.8	35.0	108.0	1 (4 Holes)	1/4	4.8	9/16	75.2	91.5	28.5
PFLA-06-F16-2500-RF-SS							3/8	7.1	11/16	73.7	91.7	
PFLA-08-F16-2500-RF-SS							1/2	10.4	7/8	70.7	95.0	
PFLA-12-F16-2500-RF-SS							3/4	15	1-1/8	69.1	94.3	
PFLA-04-F32-2500-RF-SS	2	235	92.1	50.9	171.4	1-1/8 (8 Holes)	1/4	4.8	9/16	110.1	126.3	50.8
PFLA-06-F32-2500-RF-SS							3/8	7.1	11/16	108.6	126.6	
PFLA-08-F32-2500-RF-SS							1/2	10.4	7/8	105.5	129.9	
PFLA-12-F32-2500-RF-SS							3/4	15	1-1/8	104.0	129.1	
PFLA-16-F32-2500-RF-SS							1	22	1-1/2	99.4	131.4	

ASME B16.5 Class 2500 Flange X Metric Tube Fitting

Part Number	NPS in.	OD	RF	tf	PCD	BH in.	T	E	N-A/F	I	L	W-A/F
PFLA-M06-F08-2500-RF-SS	1/2	135	34.9	30.2	88.9	7/8 (4 holes)	6 mm	4.2	14	64.1	80.4	25.4
PFLA-M10-F08-2500-RF-SS							10 mm	8	19	63.5	81.5	
PFLA-M12-F08-2500-RF-SS							12 mm	9.5	22	60.0	84.3	
PFLA-M06-F12-2500-RF-SS	3/4	140	42.9	31.8	95.2	7/8 (4 Holes)	6 mm	4.2	14	72.0	88.3	28.5
PFLA-M10-F12-2500-RF-SS							10 mm	8	19	71.4	89.4	
PFLA-M12-F12-2500-RF-SS							12 mm	9.5	22	67.9	92.2	
PFLA-M06-F16-2500-RF-SS	1	160	50.8	35.0	108.0	1 (4 Holes)	6 mm	4.2	14	75.3	91.6	28.5
PFLA-M10-F16-2500-RF-SS							10 mm	8	19	74.7	92.7	
PFLA-M12-F16-2500-RF-SS							12 mm	9.5	22	71.2	95.5	
PFLA-M20-F16-2500-RF-SS							20 mm	18	32	70.5	95.7	
PFLA-M06-F32-2500-RF-SS	2	235	92.1	50.9	171.4	1-1/8 (8 Holes)	6 mm	4.2	14	110.2	126.4	50.8
PFLA-M10-F32-2500-RF-SS							10 mm	8	19	109.6	127.6	
PFLA-M12-F32-2500-RF-SS							12 mm	9.5	22	106.0	130.4	
PFLA-M20-F32-2500-RF-SS							20 mm	18	32	105.4	130.5	
PFLA-M25-F32-2500-RF-SS							25 mm	22	38	99.4	131.4	

EN Flanges - Class PN 16, Class 25 & Class PN 40



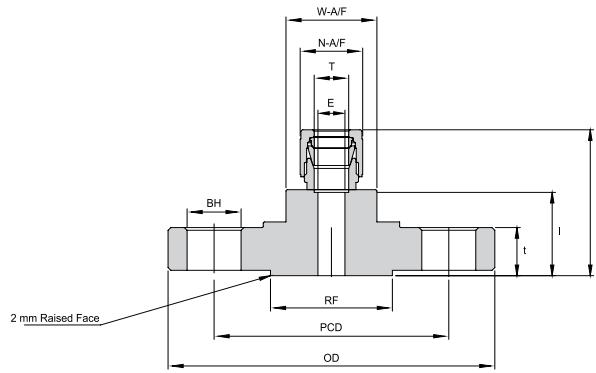
EN 1092-1 Pressure Class PN16 Flange X Metric Tube Fitting

Part Number	Flange Size DN	OD	RF	t	PCD	BH	T	E	N-A/F mm	I	L	W-A/F
PFLA-M06-15-PN16-SS	15	95	45	16	65	M12 (4 holes)	6 mm	4.2	14	40.0	56.2	25.4
PFLA-M10-15-PN16-SS							10 mm	8	19	39.4	57.4	
PFLA-M12-15-PN16-SS							12 mm	9.5	22	35.8	60.2	
PFLA-M06-20-PN16-SS	20	105	58	18	75	M12 (4 Holes)	6 mm	4.2	14	46.6	62.8	28.5
PFLA-M10-20-PN16-SS							10 mm	8	19	45.9	64.0	
PFLA-M12-20-PN16-SS							12 mm	9.5	22	42.4	66.8	
PFLA-M06-25-PN16-SS	25	115	68	18	85	M12 (4 Holes)	6 mm	4.2	14	48.4	64.6	28.5
PFLA-M10-25-PN16-SS							10 mm	8	19	47.7	65.8	
PFLA-M12-25-PN16-SS							12 mm	9.5	22	44.2	68.6	
PFLA-M20-25-PN16-SS							20 mm	18	32	43.6	68.7	
PFLA-M06-50-PN16-SS	50	165	102	18	125	M16 (4 Holes)	6 mm	4.2	14	51.4	67.7	50.8
PFLA-M10-50-PN16-SS							10 mm	8	19	50.8	68.8	
PFLA-M12-50-PN16-SS							12 mm	9.5	22	47.0	71.6	
PFLA-M20-50-PN16-SS							20 mm	18	32	46.6	71.8	
PFLA-M25-50-PN16-SS							25 mm	22	38	40.7	72.7	

EN 1092-1 Pressure Class PN 25 / PN 40 Flange X Metric Tube Fitting

Part Number	Flange Size DN	OD	RF	t	PCD	BH	T	E	N-A/F mm	I	L	W-A/F
PFLA-M06-15-PN40-SS	15	95	45	16	65	M12 (4 holes)	6 mm	4.2	14	43.1	59.3	25.4
PFLA-M10-15-PN40-SS							10 mm	8	19	42.4	60.5	
PFLA-M12-15-PN40-SS							12 mm	9.5	22	38.9	63.3	
PFLA-M06-20-PN40-SS	20	105	58	18	75	M12 (4 Holes)	6 mm	4.2	14	48.3	64.5	28.5
PFLA-M10-20-PN40-SS							10 mm	8	19	47.7	65.7	
PFLA-M12-20-PN40-SS							12 mm	9.5	22	44.1	69.4	
PFLA-M06-25-PN40-SS	25	115	68	18	85	M12 (4 Holes)	6 mm	4.2	14	51.5	67.8	28.5
PFLA-M10-25-PN40-SS							10 mm	8	19	50.9	68.9	
PFLA-M12-25-PN40-SS							12 mm	9.5	22	47.3	71.7	
PFLA-M20-25-PN40-SS							20 mm	18	32	46.7	71.9	
PFLA-M06-50-PN40-SS	50	165	102	20	125	M16 (4 Holes)	6 mm	4.2	14	56.6	72.8	50.8
PFLA-M10-50-PN40-SS							10 mm	8	19	56.0	74.0	
PFLA-M12-50-PN40-SS							12 mm	9.5	22	52.4	76.8	
PFLA-M20-50-PN40-SS							20 mm	18	32	51.8	76.9	
PFLA-M25-50-PN40-SS							25 mm	22	38	45.8	77.8	

EN Flanges - Class PN 63 & Class PN 100



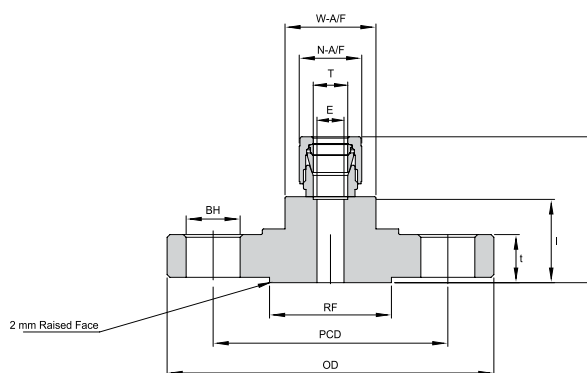
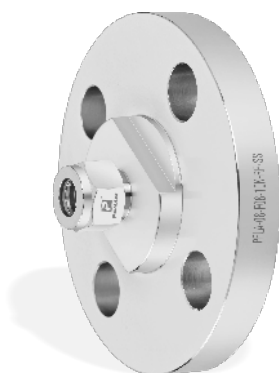
EN 1092-1 Pressure Class PN63 Flange X Metric Tube Fitting

Part Number	Flange Size DN	OD	RF	t	PCD	BH	T	E	N-A/F	I	L	W-A/F
PFLA-M06-15-PN63-SS	15	105	45	20	75	M12 (4 holes)	6 mm	4.2	14	46.7	63.0	25.4
PFLA-M10-15-PN63-SS							10 mm	8	19	45.2	63.2	
PFLA-M12-15-PN63-SS							12 mm	9.5	22	42.1	66.5	
PFLA-M06-20-PN63-SS	20	130	58	22	90	M16 (4 Holes)	6 mm	4.2	14	51.9	68.2	28.5
PFLA-M10-20-PN63-SS							10 mm	8	19	50.4	68.4	
PFLA-M12-20-PN63-SS							12 mm	9.5	22	47.4	71.7	
PFLA-M06-25-PN63-SS	25	140	68	24	100	M16 (4 Holes)	6 mm	4.2	14	57.2	73.4	28.5
PFLA-M10-25-PN63-SS							10 mm	8	19	55.6	73.7	
PFLA-M12-25-PN63-SS							12 mm	9.5	22	52.6	77.0	
PFLA-M20-25-PN63-SS	50	180	102	26	135	M20 (4 Holes)	20 mm	18	32	51.1	76.2	50.8
PFLA-M06-50-PN63-SS							6 mm	4.2	14	62.4	78.7	
PFLA-M10-50-PN63-SS							10 mm	8	19	60.9	78.9	
PFLA-M12-50-PN63-SS	50	180	102	26	135	M20 (4 Holes)	12 mm	9.5	22	57.9	82.2	50.8
PFLA-M20-50-PN63-SS							20 mm	18	32	56.3	81.5	
PFLA-M25-50-PN63-SS	50	180	102	26	135	M20 (4 Holes)	25 mm	22	38	51.8	83.8	50.8

EN 1092-1 Pressure Class PN100 Flange X Metric Tube Fitting

Part Number	Flange Size DN	OD	RF	t	PCD	BH	T	E	N-A/F mm	I	L	W-A/F
PFLA-M06-15-PN100-SS	15	105	45	20	75	M12 (4 holes)	6 mm	4.2	14	46.7	63.0	25.4
PFLA-M10-15-PN100-SS							10 mm	8	19	45.2	63.2	
PFLA-M12-15-PN100-SS							12 mm	9.5	22	42.1	66.5	
PFLA-M06-20-PN100-SS	20	130	58	22	90	M16 (4 Holes)	6 mm	4.2	14	51.9	68.2	28.5
PFLA-M10-20-PN100-SS							10 mm	8	19	50.4	68.4	
PFLA-M12-20-PN100-SS							12 mm	9.5	22	47.4	71.7	
PFLA-M06-25-PN100-SS	25	140	68	24	100	M16 (4 Holes)	6 mm	4.2	14	57.2	73.4	28.5
PFLA-M10-25-PN100-SS							10 mm	8	19	55.6	73.7	
PFLA-M12-25-PN100-SS							12 mm	9.5	22	52.6	77.0	
PFLA-M20-25-PN100-SS	50	195	102	28	145	M24 (4 Holes)	20 mm	18	32	51.1	76.2	50.8
PFLA-M06-50-PN100-SS							6 mm	4.2	14	62.4	78.7	
PFLA-M10-50-PN100-SS							10 mm	8	19	62.9	80.9	
PFLA-M12-50-PN100-SS	50	195	102	28	145	M24 (4 Holes)	12 mm	9.5	22	59.9	84.2	50.8
PFLA-M20-50-PN100-SS							20 mm	18	32	58.3	83.5	
PFLA-M25-50-PN100-SS	50	195	102	28	145	M24 (4 Holes)	25 mm	22	38	53.8	85.8	50.8

JIS Flanges - Class 10K



JIS B2220 Pressure Class 10K Flange X Fractional Tube Fitting

Part Number	Flange Size DN	OD	RF	t	PCD	BH in.	Tube OD T in.	E	N-A/F in.	I	L	W-A/F
PFLA-04-15-10K-RF-SS	15	95	51	12	70	15	1/4	4.8	9/16	26.9	42.2	25.4
PFLA-06-15-10K-RF-SS	15	95	51	12	70	15	3/8	7.1	11/16	26.9	43.7	
PFLA-08-15-10K-RF-SS	15	95	51	12	70	15	1/2	10.4	7/8	23.6	46.5	
PFLA-12-15-10K-RF-SS	15	95	51	12	70	15	3/4	15	1-1/8	24.1	48.5	
PFLA-16-19-10K-RF-SS	25	125	67	14	90	19	1	22	1-1/2	29.7	61.0	28.5
PFLA-32-19-10K-RF-SS	50	154	96	16	120	19	2	46	3	34.3	101.9	50.8

JIS B2220 Pressure Class 10K Flange X Fractional Tube Fitting

Part Number	Flange Size DN	OD	RF	t	PCD	BH in.	Tube OD T in.	E	N-A/F mm	I	L	W-A/F
PFLA-M12-15-10K-RF-SS	15	95	51	12	70	15	12 mm	9.5	22	23.7	46.5	25.4
PFLA-M18-15-10K-RF-SS	15	95	51	12	70	15	18 mm	15	28	24.1	48.5	
PFLA-M25-15-10K-RF-SS	15	125	67	14	90	19	25 mm	22	38	29.7	61.0	28.5

NOTE

- Dimensions given in this catalogue are for references only and are subject to change. All dimensions are in mm unless otherwise specified.
- Not every configuration which can be created in the ordering information is feasible / available.
- Continuous product development from time to time necessitate changes in the details contained in this catalogue.
- **PANAM** reserves the right to make such changes at their discretion and without prior notice.
- The Selection of Flange Adapter for any application or system design must be considered to ensure safe performance.
- Flange Adapter function, rating, material compatibility, proper installation, operation and maintenance remain the sole responsibility of the system designer and the user. Improper selection or use of products described herein can cause personal injury or property damage. **PANAM** accepts no liability for any improper selection, installation, operation or maintenance.

Other Products



2-3-5 VALVE MANIFOLDS



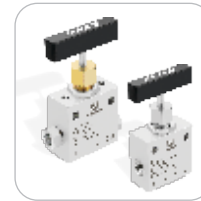
BELLOW SEAL VALVES



GAUGE ROOT VALVES



NEEDLE VALVES



HP NEEDLE VALVES



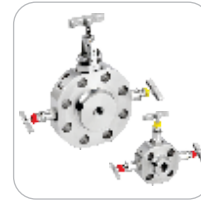
BALL VALVES



HP BALL VALVES



DOUBLE BLOCK & BLEED VALVES



MOND FLANGE VALVES



CHECK VALVES



RELIEF VALVES



FILTERS



TUBE FITTINGS



PIPE FITTINGS



HP PIPE FITTINGS



SWIVEL FITTINGS



JIC FITTINGS



WELD FITTINGS



HIGH PRESSURE FITTINGS



GAUGE SAVERS



PRESSURE GAUGES



TEMPERATURE GAUGES



PRESSURE TRANSMITTERS



TEMPERATURE TRANSMITTERS



PRESSURE REGULATORS



CONDENSATE POTS



AIR HEADERS



GRAB SAMPLING SYSTEM



PRE-FABRICATED HOOK UPS



FLANGE ADAPTERS



SWIVEL GAUGE ADAPTERS



THERMOWELLS



BLEED PLUGS



DIE-ELECTRIC FITTINGS



TUBING



PANAM ENGINEERS LTD.

501, Jaisingh Business Center, Parsiwada, Sahar Road, Andheri (East),
Mumbai - 400 099. BHARAT • Tel.: +91 22 4146 9000 / 4146 9001 / 4146 9002 / 4146 9003 / 4146 9004.

Email: sales@panam.in / sales@panamengineers.com

Website: www.panam.in / www.panamengineers.com